



KIDS MENU

\$6 each

Bowtie Mac n' Cheese

Buttered Noodles

Chicken Fingers

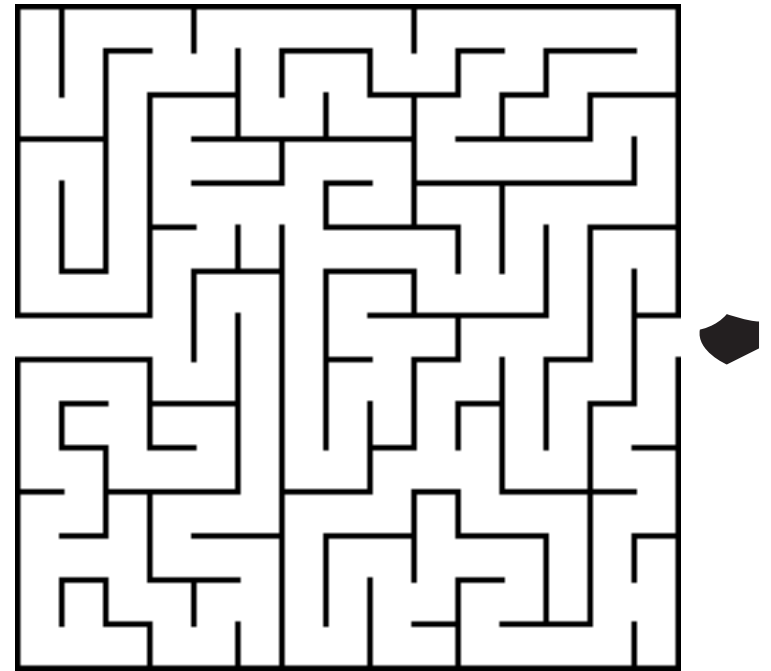
Grilled Trout

Burger* or Cheeseburger*

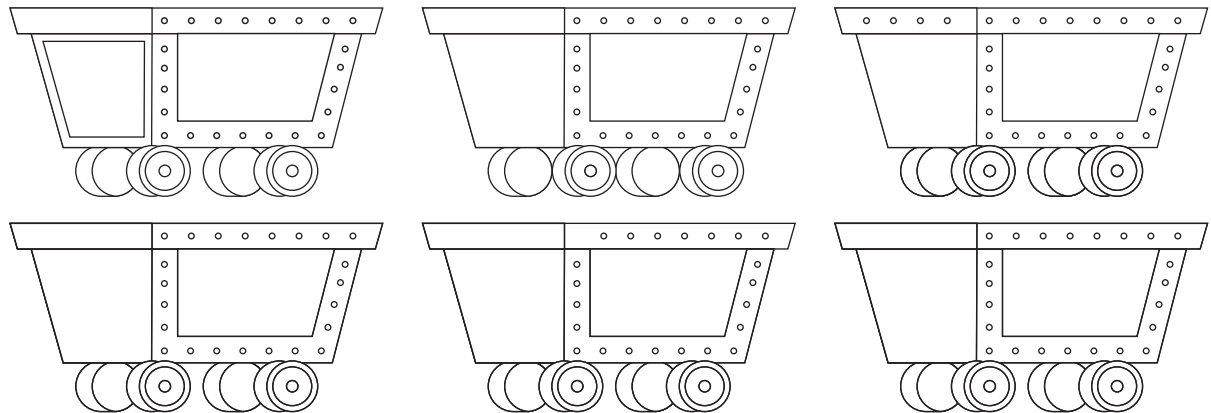
Served with choice of seasonal vegetables,
fries or sweet potato fries

** Prepared well done

Help Prospector Pete Find the Gold



Which Two Carts Are The Same



We kindly request that all children are supervised while at the Lodge by The Blue.
Thank you for your understanding!

Word Mining

Can you find the words?

T C B G Q T F T E P M V M F T
 C C L X O R E V L I S O B K F
 Y I L E X R W G N N Z P Y A A
 S S B S N S S I G A W R J H H
 C K S Y G N N G B U W O K G S
 N I S L A G U K O J N S N L S
 W H Q V O J M T Q C W P H U N
 O F O O L S G O L D C E X I F
 T T Z W D Z J E X A K C I P N
 T C L L K T S P T U W T E Y C
 S S J F Q P P A I X A O T G A
 O X M G O L D F E V E R O I Q
 H N E D O L R E H T O M Q D E
 G T Q P L E F N Y B T M R Z R
 G F W Q U Y N P E Y L B M X O

Nugget
 Gold Fever
 Fools Gold
 Prospector
 Pick Axe

Ore
 Shaft
 Tunnel
 Dig
 Mining

Ghost Town
 Silver
 Mother Lode

Draw Your Favorite Animal

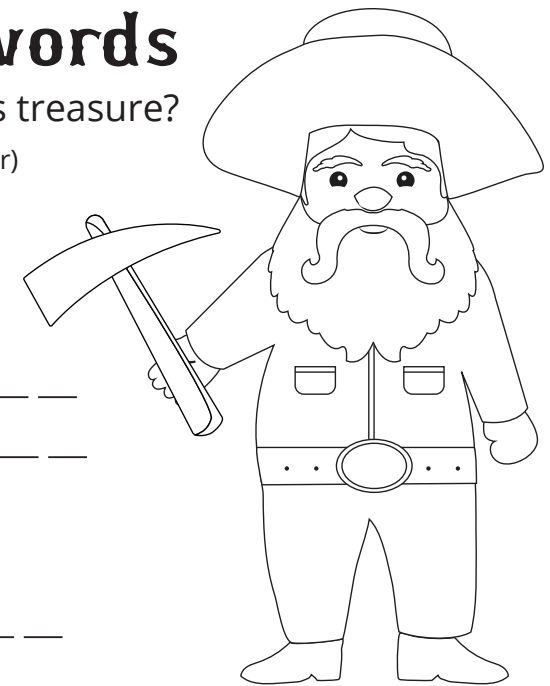


Unscramble the words

Where does Prospector Pete find his treasure?

(use the highlighted letters below to get the answer)

1. YAGR FOLW _____
2. RPICUPNOE _____
3. ILNO _____
4. DER OFX _____
5. AMR EPEHS _____
6. ZLZYRIG EBAR _____
7. XLNY _____
8. KLE _____



1. Gray Wolf 2. Porcupine 3. Lion 4. Red Fox 5. Ram Sheep
 6. Grizzly Bear 7. Lynx 8. Elk Answer: GOLD MINE